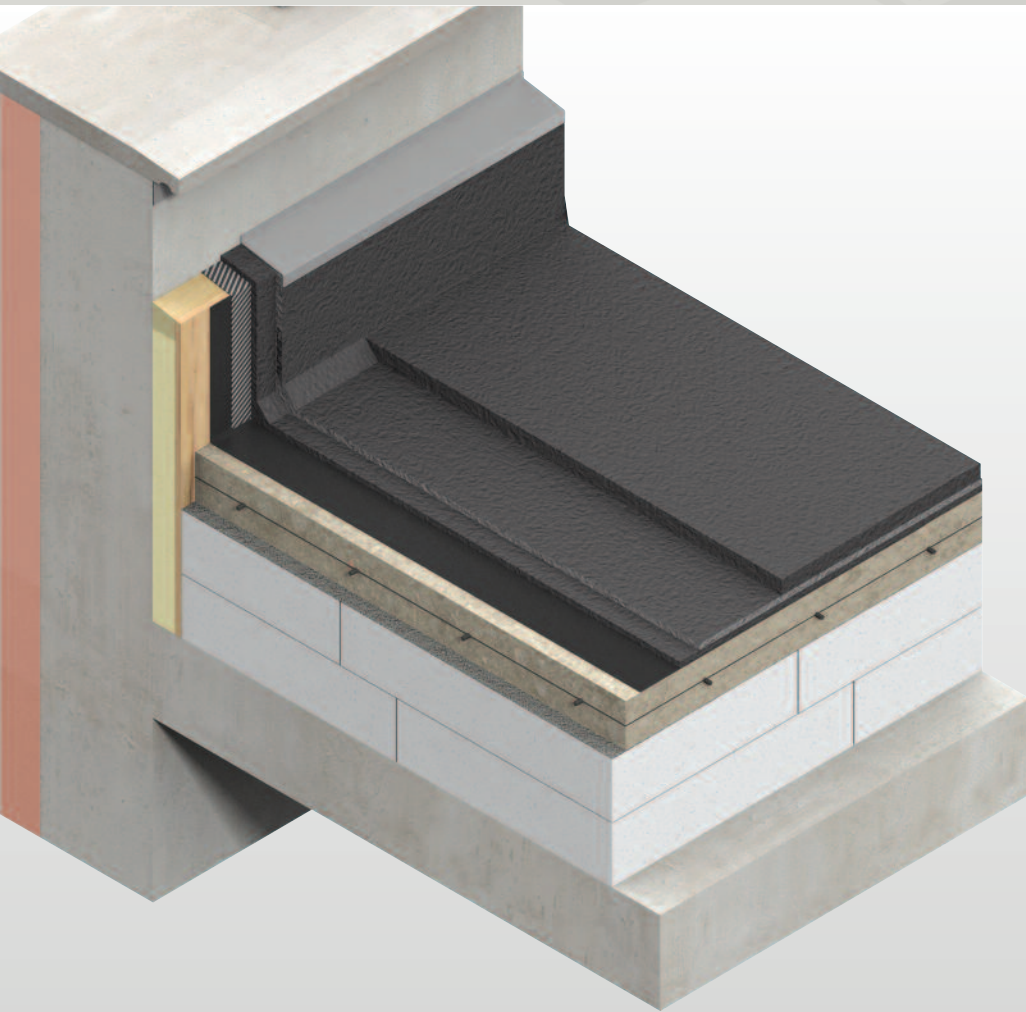




Styrozone® Car Park Decks

INSULATION FOR CAR PARK DECKS



- High performance rigid extruded polystyrene insulation – thermal conductivities as low as 0.029 W/m·K
- High compressive strength withstands vehicle loads
- Resistant to the passage of water vapour
- Easy to handle and install
- Ideal for new build and refurbishment
- Non-deleterious material
- Manufactured with a blowing agent that has zero ODP



*Low Energy –
Low Carbon Buildings*

Typical Constructions and U-values

Assumptions

The U-values in the tables that follow have been calculated, under a management system certified to the BBA



Scheme for Assessing the Competency of Persons to Undertake U-value and Condensation Risk Calculations, using the method detailed in BS / I.S. EN ISO 6946: 2007 (Building components and building elements. Thermal resistance and thermal transmittance. Calculation method) and using the conventions set out in BR443 (Conventions for U-value calculations). They U-values in the tables that follow are valid for the constructions shown in the details immediately above each table.

NB For the purposes of these calculations the standard of workmanship has been assumed good and therefore the correction factor for air gaps has been ignored.

NB The figures quoted are for guidance only. A detailed U-value calculation together with condensation risk analysis should be completed for each individual project.

NB If your construction is different from those specified and / or to gain a comprehensive U-value calculation along with a condensation risk analysis for your project please consult the Kingspan Insulation Technical Service Department for assistance (see rear cover).

U-value Table Key

Where an **X** is shown, the U-value is higher than the worst of the maximum new build area weighted average U-values allowed by the 2010 Editions of Approved Documents L to the Building Regulations (England & Wales), the 2010 Editions of Technical Handbooks Section 6 (Scotland), the 2006 Editions of Technical Booklets F (Northern Ireland), or the 2008 Editions of Technical Guidance Documents L* (Republic of Ireland).

* Excluding Change of Use and Material Alterations.

Parking Decks, Cars and Light Commercial Vehicles (Non HGV)

(Maximum Individual Wheel Load – 1 Tonne)

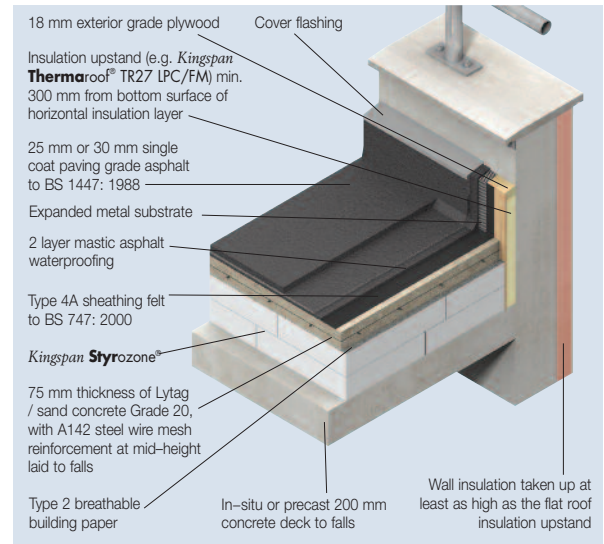


Figure 2a

Insulant Thickness (mm)	U-values (W/m ² :K) with Different Grades of Kingspan Styrozone®	
	Kingspan Styrozone® N 300 R	Kingspan Styrozone® H 350 R
100	X	X
120	X	0.22
140	0.24	0.20
160	0.21	0.18
180	0.20	n/a
120 + 50*	n/a	0.16
100 + 80*	0.19	0.15
100 + 100	0.18	0.14
80 + 80 + 50*	n/a	0.13
120 + 100*	0.16	0.12
120 + 120	0.15	0.11
140 + 120*	0.14	0.11
140 + 140	0.13	0.11
160 + 140*	0.12	0.10
160 + 160	0.11	0.09
120 + 120 + 120	0.10	0.08

* Where there are multiple layers of insulation of different thicknesses the thickest insulation board is installed first.

Design Considerations

Loading Bays, Service Decks and Commercial Vehicles

(Design Should be Verified as to Suitability for Specific Wheel Loads)

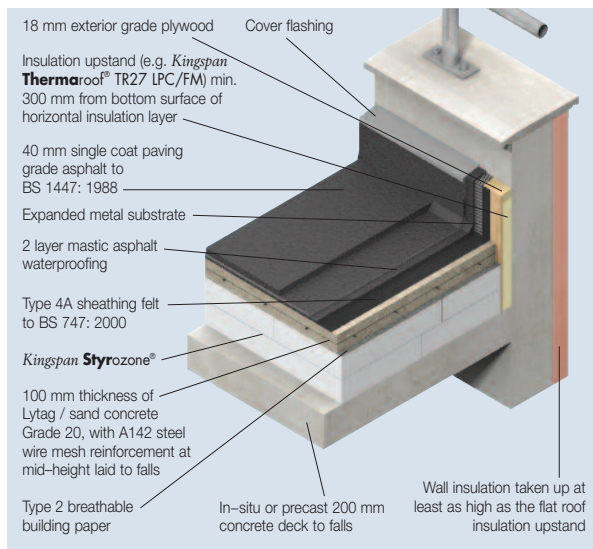


Figure 2b

U-values (W/m ² ·K)	
Insulant Thickness (mm)	Kingspan Styrozone [®] N 500 R
120	X
80 + 50*	0.25
50 + 50 + 50	0.22
120 + 50*	0.20
80 + 50 + 50	0.19
120 + 80*	0.18
80 + 80 + 50	0.17
120 + 50 + 50	0.16
120 + 120	0.15
120 + 80 + 50	0.14
80 + 80 + 50 + 50	0.13
120 + 120 + 50	0.12
120 + 120 + 80	0.11
120 + 120 + 50 + 50	0.10

* Where there are multiple layers of insulation of different thicknesses the thickest insulation board is installed first.

Linear Thermal Bridging

Reasonable provision must be made to limit the effects of cold bridging. The design should ensure that roof-light or ventilator kerbs etc. are always insulated with **Kingspan Thermo roof[®] TR27 LPC/FM** to the same U-value as the general roof area. A 25 mm thick **Kingspan Thermo roof[®] TR27 LPC/FM** upstand should be used around the perimeter of the roof on the internal façade of parapets. A minimum distance of 300 mm should be maintained between the top of the insulation upstand and the bottom of the horizontal roof insulation. Wall insulation should also be carried up into parapets as high as the flat roof insulation upstand. Please contact the Kingspan Insulation Technical Service Department (see rear cover) for further advice.

Sustainability & Responsibility

Kingspan Insulation has a long-term commitment to sustainability and responsibility: as a manufacturer and supplier of insulation products; as an employer; as a substantial landholder; and as a key member of its neighbouring communities.

A report covering the sustainability and responsibility of Kingspan Insulation Ltd's British operations is available at www.kingspaninsulation.co.uk/sustainabilityandresponsibility.

Specification Clause

Kingspan Styrozone[®] should be described in the specification as:-

The roof insulation shall be **Kingspan Styrozone[®]** (insert grade) _____mm thick: comprising high performance rigid extruded polystyrene insulation. The product shall be manufactured, with a blowing agent that has zero Ozone Depletion Potential (ODP), under a management system certified to EN ISO 9001: 2000, and shall be installed in accordance with the instructions issued by Kingspan Insulation Limited.

Design Considerations

NBS Specifications

Details also available in NBS Plus.

NBS users should refer to clause(s):

J21 440, J31 340, J41 440

(Standard and Intermediate)



Product Selection

The high compressive strength of *Kingspan Styrozone*[®] makes it particularly suitable for use in car park applications where there are likely to be heavy loads.

Consideration must be given to which *Kingspan Styrozone*[®] product is most appropriate for the required application.

A table of the key distinguishing features is shown below.

Product	Thermal Conductivity (W/m·K)	Density (kg/m ³)	Compressive Strength at 10% compression (kPa)
Styrozone [®] H 350 R	0.029–0.031	30	300
Styrozone [®] N 300 R	0.037–0.040	30	300
Styrozone [®] N 500 R	0.036–0.038	35	500
Styrozone [®] N 700 R	0.036	45	700

Design Loads & Roof Structure

Whilst almost any form of roof deck (timber, metal or concrete) can be used with protected membrane roofing systems, the traffic load and additional dead load from the ballast layer invariably limits this type of roof to concrete decks.

Data on specific concentrated loads is contained in BS 6399 –1: 1996 (Loading for buildings. Code of practice for dead and imposed loads). Department of Transport departmental standard BD 21/84 gives typical single wheel loads, depending on the type of vehicle, that act over a 150 mm square or 170 mm diameter contact area. The tyre pressure is taken as 1.1 N/mm², in practice real tyre pressures are lower than this thus giving a lower load intensity.

Vehicle Type (Weight in Tonnes)	Nominal Single Wheel Load (kN)
Cars and vans (<3)	25
Vehicles generally (3–7.5)	50
Vehicles generally (7.5–40)	100
Fire engines (up to 60 kN axle load)	30
Fire engines (up to 120 kN axle load)	60

Falls

The fall on a car park deck, constructed using *Kingspan Styrozone*[®], is normally provided by the screed being laid to falls directed towards the rainwater outlets. The fall should be smooth and steep enough to prevent the formation of rainwater ponds. In order to ensure adequate drainage, BS 6229: 2003 (Flat roofs with continuously supported coverings. Code of practice) recommends uniform gradients of not less than 1 in 80. However, because of building settlement, it is advisable to design in even greater falls.

Roof Waterproofing

Kingspan Styrozone[®] is suitable for use with mastic asphalt waterproofing systems. Mastic asphalt waterproofing should be laid, where applicable, in accordance with BS 8218: 1998 (Code of practice for mastic asphalt roofing). Mastic asphalt should always be laid over an isolating layer of loose-laid Type 4A sheathing felt to BS 747: 2000 (Reinforced bitumen sheets for roofing. Specification), itself laid over a layer of Lytag / sand concrete, Grade 20, laid to falls with A142 steel wire mesh reinforcement at mid-height. The exposed face of insulation upstands, at parapets and abutments, must be lined with 18 mm exterior grade plywood, prior to the mastic asphalt waterproofing being laid. The plywood is used as an anchor point for the expanded metal substrate onto which the vertical mastic asphalt is laid.

Water Vapour Control

There is no requirement for a vapour control layer on car park decks where *Kingspan Styrozone*[®] is overlaid with screed and a mastic asphalt finish. However, this type of roof build up can not be used on high humidity buildings.

Sitework

Insulation Boards

- Concrete decks should be clean, dry, without large projections, steps or gaps.
- Start laying the *Kingspan Styrozone*[®] insulation boards from the point of access to the roof.
- Insulation boards should always be loose-laid break-bonded, either with their long edges at right angles to the edge of, or diagonally across the roof, and with joints lightly butted. There should be no gaps at abutments.
- If two or more layers of insulation are required, they should be horizontally offset relative to each other so that, as far as possible, the board joints in any two adjacent layers do not coincide with each other (see Figure 3).

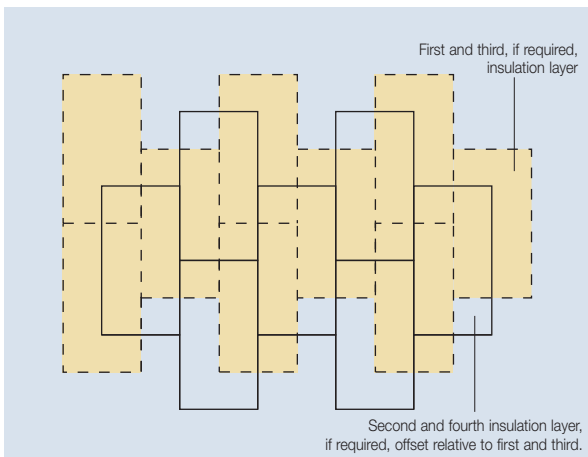


Figure 3 Offsetting of Multiple Insulation Layers

- Roof-light or ventilator kerbs etc. should always be insulated with *Kingspan Thermaroof*[®] TR27 LPC/FM to the same U-value as the general roof area.
- A 25 mm thick *Kingspan Thermaroof*[®] TR27 LPC/FM upstand should be used around the perimeter of the roof on the internal façade of parapets.
- A minimum distance of 300 mm should be maintained between the top of the insulation upstand and the bottom of the horizontal roof insulation.
- Boards can be laid in any weather but, due to the light weight of the boards, care must be taken in windy conditions.

Screed and Mastic Asphalt

- A Type 2 breathable building paper should be laid over the boards and turned up at abutments.
- Reinforcement can then be fixed and the concrete poured and compacted in accordance with BS 8110-1: 1997 (Structural use of concrete. Code of practice for design and construction).
- The mastic asphalt waterproofing is installed in accordance with the membrane manufacturer's instructions, over the whole insulated area including any insulation upstands.

General

Cutting

- Cutting should be carried out either by using a fine toothed saw, or by scoring with a sharp knife and snapping the board over a straight edge.
- Ensure accurate trimming to achieve close-butting joints and continuity of insulation.

Availability

- *Kingspan Styrozone*[®] is available through specialist insulation distributors and selected roofing merchants throughout the UK and Ireland.

Packaging and Storage

- The polyethylene packaging of Kingspan Insulation products, which is recyclable, should not be considered adequate for outside protection.
- Ideally, boards should be stored inside a well ventilated building. If, however, outside storage cannot be avoided, then the boards should be stacked clear of the ground and covered with a pale pigmented polythene sheet or weatherproof tarpaulin.
- *Kingspan Styrozone*[®] should not be left in the sun covered by either a transparent or a dark plastic sheet, since in both cases, board temperatures can build up to a level hot enough to appreciably alter their dimensions or warp them.

Health and Safety

- Kingspan Insulation products are chemically inert and safe to use.
- A Safety Information Data Sheet for this product is available from the Kingspan Insulation website www.kingspaninsulation.co.uk/safety or www.kingspaninsulation.ie/safety.

Warning – do not stand on or otherwise support your weight on this product unless it is fully supported by a load-bearing surface.

Product Details

Composition

Kingspan Styrozone[®] H 350 R is a high performance rigid extruded polystyrene insulant manufactured with a blowing agent that has zero Ozone Depletion Potential (ODP) and has a smooth, dense skin on both faces.



Kingspan Styrozone[®] N 300 R, N 500 R and N 700 R are high performance rigid extruded polystyrene insulants manufactured with a blowing agent that has zero Ozone Depletion Potential (ODP) and low Global Warming Potential (GWP) and have a smooth, dense skin on both faces.

Standards and Approvals

Kingspan Styrozone[®] is manufactured to the highest quality standards under a quality control system certified to EN ISO 9001: 2000 (Quality management systems. Requirements).

Standard Dimensions

All products in the *Kingspan Styrozone*[®] range are available in the following standard size:

Nominal Dimension		Availability
Length	(m)	1.25
Width	(m)	0.6
Insulant Thickness	(mm)	Refer to local distributor or Kingspan Insulation price list for current stock and non-stock sizes.
Edge Profile		Rebated*

* Straight edge boards for non-protected membrane applications are available upon request.

Compressive Strength

The compressive strengths of *Kingspan Styrozone*[®] are as follows:

Kingspan Styrozone[®] H 350 R – 300 kPa;

Kingspan Styrozone[®] N 300 R – 300 kPa;

Kingspan Styrozone[®] N 500 R – 500 kPa; and

Kingspan Styrozone[®] N 700 R – 700 kPa,

at 10% compression, when tested to EN 826: 1996 (Thermal insulating products for building applications. Determination of compression behaviour).

Thermal Expansion

The linear thermal expansion coefficient of *Kingspan Styrozone*[®] is 0.07 mm/m·K.

Water Vapour Resistivity

The boards achieve a resistivity greater than 825 MN·s/g·m, when tested in accordance with EN 12086: 1997 (Thermal insulating products for building applications. Determination of water vapour transmission properties).

Absorption of Moisture

Kingspan Styrozone[®] is highly resistant to water absorption. It is very resistant to the passage of water vapour, and unaffected by repeated freeze / thaw cycles.

Durability

If correctly installed, *Kingspan Styrozone*[®] can have an indefinite life. Its durability depends on the supporting structure and the conditions of its use.

Resistance to Solvents, Fungi & Rodents

Kingspan Styrozone[®] is resistant to most commonly occurring construction materials such as lime, cement, plaster, anhydrous gypsum, solvent-free bituminous compounds, water-based wood preservatives, as well as alcohols, acids and alkalis. Certain organic materials such as solvent-based wood preservatives, coal tar and derivatives (creosote), paint thinners and common solvents (e.g. acetone, ethyl acetate, petrol, toluene and white spirit) will attack *Kingspan Styrozone*[®], resulting in softening, shrinkage and possible dissolution, with a consequent loss of performance.

Kingspan Styrozone[®] does not provide any food value to vermin and is not normally attractive to them.

Fire Performance

Kingspan Styrozone[®], when subjected to the British Standard fire test specified in the table below, will achieve the result shown, when the surface finish is either minimum 40 mm paving slabs, or 75 mm thickness of Lytag / sand concrete Grade 20, with A142 steel wire mesh reinforcement at mid-height. For specifications without the paving slabs or concrete please consult the manufacturer of the specific external weatherproofing / ballast for their fire classification details.

Test	Result
BS 476-3: 2004 (External fire exposure roof test)	FAA rating

Further details on the fire performance of Kingspan Insulation products may be obtained from the Kingspan Insulation Technical Service Department (see rear cover).

Maximum Service Temperature

Kingspan Styrozone[®] should not be brought into direct contact with high temperature heat sources. The maximum service temperature of *Kingspan Styrozone*[®] is 75°C.

Thermal Properties

The λ -values and R-values detailed below are quoted in accordance with the EN 13164: 2008 (Thermal insulation products for buildings – Factory made products of extruded polystyrene (XPS) – Specification).

Thermal Conductivity

The boards achieve a thermal conductivity (λ -value) of

Kingspan Styrozone[®] H 350 R is:

0.029 W/m·K (insulant thickness \leq 120 mm); and

0.031 W/m·K (insulant thickness $>$ 120 mm).

Kingspan Styrozone[®] N 300 R is:

0.037 W/m·K (insulant thickness \leq 80 mm);

0.038 W/m·K (insulant thickness 100–160 mm); and

0.040 W/m·K (insulant thickness $>$ 160 mm).

Kingspan Styrozone[®] N 500 R is:

0.036 W/m·K (insulant thickness \leq 70 mm); and

0.038 W/m·K (insulant thickness $>$ 70 mm).

Kingspan Styrozone[®] N 700 R is:

0.036 W/m·K (insulant thickness \leq 50 mm).

Thermal Resistance

Thermal resistance (R-value) varies with thickness and is calculated by dividing the thickness of the board (expressed in metres) by its thermal conductivity. The resulting number is rounded down to the nearest 0.05 (m²·K/W).

Insulant Thickness (mm)	Thermal Resistance (m ² ·K/W)			
	H 350 R	N 300 R	N 500 R	N 700 R
50	1.70	–	1.35	1.35
80	2.75	2.15	2.10	–
100	3.40	2.60	–	–
120	4.10	3.15	3.15	–
140	4.50	3.65	–	–
160	5.15	4.20	–	–
180	–	4.50	–	–

NB Multiple layers of insulation are required for higher thermal resistances.

NB Refer to local distributor or Kingspan Insulation price list for current stock and non-stock sizes.

NB Where a hyphen is shown the thickness is not available.

NB *Kingspan Styrozone*[®] may be delivered in packaging bearing alternative product branding.

Contact Details

Customer Service

For quotations, order placement and details of despatches please contact the Kingspan Insulation Customer Service Department on the numbers below:

UK	– Tel:	+44 (0) 1544 388 601
	– Fax:	+44 (0) 1544 388 888
	– email:	customerservice@kingspaninsulation.co.uk
Ireland	– Tel:	+353 (0) 42 979 5000
	– Fax:	+353 (0) 42 975 4299
	– email:	info@kingspaninsulation.ie

Literature & Samples

Kingspan Insulation produces a comprehensive range of technical literature for specifiers, contractors, stockists and end users. The literature contains clear 'user friendly' advice on typical design; design considerations; thermal properties; sitework and product data.

Available as a complete Design Manual or as individual product brochures, Kingspan Insulation technical literature is an essential specification tool. For copies please contact the Kingspan Insulation Marketing Department, or visit the Kingspan Insulation website, using the details below:

UK	– Tel:	+44 (0) 1544 387 384
	– Fax:	+44 (0) 1544 387 484
	– email:	literature@kingspaninsulation.co.uk
	– www.kingspaninsulation.co.uk/literature	
Ireland	– Tel:	+353 (0) 42 979 5000
	– Fax:	+353 (0) 42 975 4299
	– email:	info@kingspaninsulation.ie
	– www.kingspaninsulation.ie/literature	

Tapered Roofing

For technical guidance, quotations, order placement and details of despatches please contact the Kingspan Insulation Tapered Roofing Department on the numbers below:

UK	– Tel:	+44 (0) 1544 387 383
	– Fax:	+44 (0) 1544 387 483
	– email:	tapered@kingspaninsulation.co.uk
Ireland	– Tel:	+353 (0) 42 975 4297
	– Fax:	+353 (0) 42 975 4296
	– email:	tapered@kingspaninsulation.ie

Technical Advice / Design

Kingspan Insulation supports all of its products with a comprehensive Technical Advisory Service for specifiers, stockists and contractors.

This includes a computer-aided service designed to give fast, accurate technical advice. Simply phone the Kingspan Insulation Technical Service Department with your project specification. Calculations can be carried out to provide U-values, condensation / dew point risk, required insulation thicknesses etc... Thereafter any number of permutations can be provided to help you achieve your desired targets.

The Kingspan Insulation Technical Service Department can also give general application advice and advice on design detailing and fixing etc... Site surveys are also undertaken as appropriate.

The Kingspan Insulation British Technical Service Department operates under a management system certified to the BBA Scheme for Assessing the Competency of Persons to Undertake U-value and Condensation Risk Calculations.



Please contact the Kingspan Insulation Technical Service Department on the numbers below:

UK	– Tel:	+44 (0) 1544 387 382
	– Fax:	+44 (0) 1544 387 482
	– email:	technical@kingspaninsulation.co.uk
Ireland	– Tel:	+353 (0) 42 975 4297
	– Fax:	+353 (0) 42 975 4296
	– email:	technical@kingspaninsulation.ie

General Enquiries

For all other enquiries contact Kingspan Insulation on the numbers below:

UK	– Tel:	+44 (0) 1544 388 601
	– Fax:	+44 (0) 1544 388 888
	– email:	info@kingspaninsulation.co.uk
Ireland	– Tel:	+353 (0) 42 979 5000
	– Fax:	+353 (0) 42 975 4299
	– email:	info@kingspaninsulation.ie

Kingspan Insulation Ltd. reserves the right to amend product specifications without prior notice. Product thicknesses shown in this document should not be taken as being available ex-stock and reference should be made to the current Kingspan Insulation price-list or advice sought from Kingspan Insulation's Customer Service Department (see above left). The information, technical details and fixing instructions etc. included in this literature are given in good faith and apply to uses described. Recommendations for use should be verified for suitability and compliance with actual requirements, specifications and any applicable laws and regulations. For other applications or conditions of use, Kingspan Insulation offers a Technical Advisory Service (see above), the advice of which should be sought for uses of Kingspan Insulation products that are not specifically described herein. Please check that your copy of this literature is current by contacting the Kingspan Insulation Marketing Department (see left).



Kingspan Insulation Ltd

Pembridge, Leominster, Herefordshire HR6 9LA, UK
Castleblayney, County Monaghan, Ireland

www.kingspaninsulation.co.uk www.kingspaninsulation.ie